



**KUBOTA UNIVERSITY**

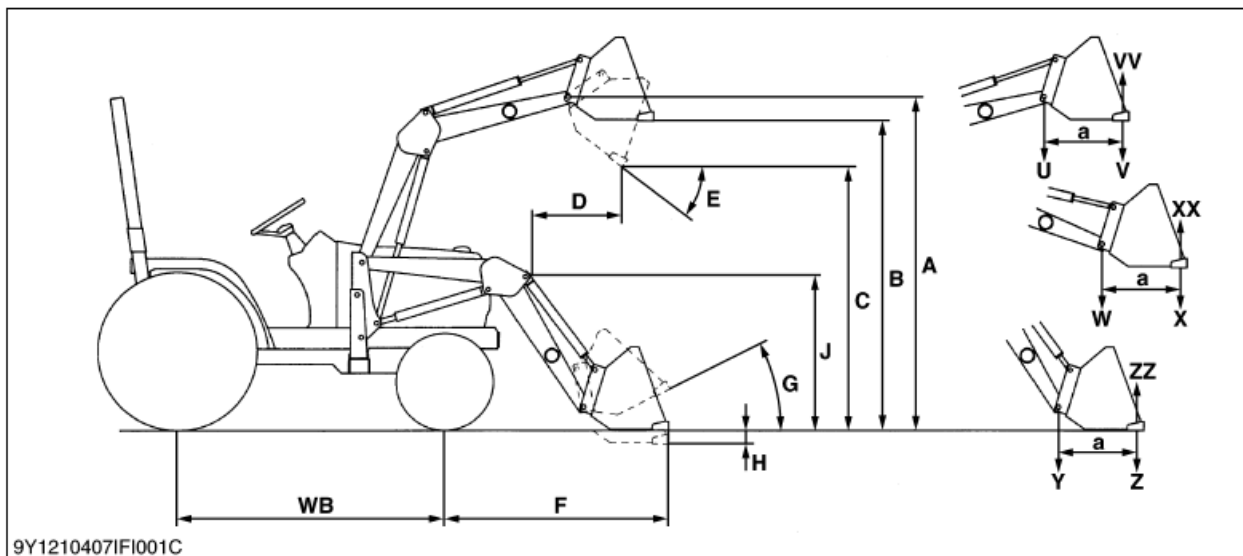
# **Standard L Series**

## Loader Specifications

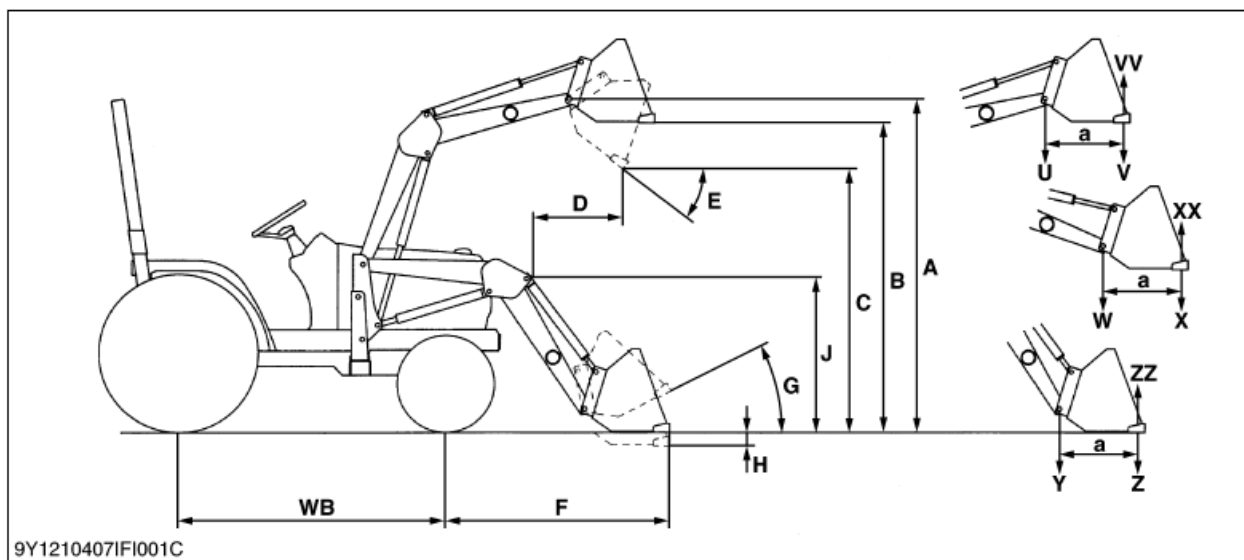
**Winter 2017**



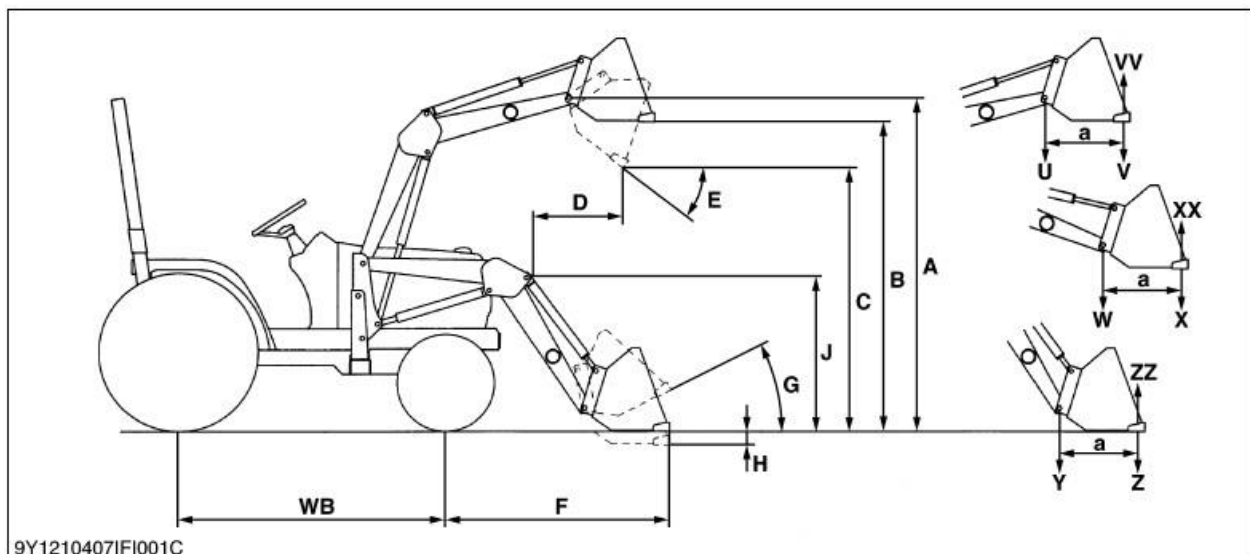
LOADER SPECIFICATIONS			
MODEL		LA525	
Matching Tractor			L2501
A	Maximum lift height (to bucket pivot pin)	in. (mm)	94.3 (2394)
B	Maximum lift height under level bucket	in. (mm)	87.6 (2224)
C	Clearance with bucket dumped	in. (mm)	76.2 (1936)
D	Reach at maximum lift height (dumping reach)	in. (mm)	25.4 (645)
E	Maximum dump angle	deg.	40 °
F	Reach with bucket on ground	in. (mm)	63.7 (1618)
G	Bucket roll-back angle	deg.	31 °
H	Digging depth	in. (mm)	6.9 (176)
I	Overall height in carry position	in. (mm)	51.3 (1302)
U	Lift capacity (bucket pivot pin, maximum height)	lbs. (kg)	1082 (491)
V	Lift capacity (500 mm forward, maximum height)	lbs. (kg)	820 (372)
W	Lift capacity (bucket pivot pin, 1500 mm (59 in.) height)	lbs. (kg)	1431 (649)
X	Lift capacity (1500 mm (59 in.) height)	lbs. (kg)	1135 (515)
Y	Breakout force (bucket pivot pin)	lbf. (N)	2373 (10554)
Z	Breakout force (500 mm forward)	lbf. (N)	1806 (8033)
VV	Bucket roll-back force at maximum height	lbf. (N)	2114 (9403)
XX	Bucket roll-back force at 1500 mm	lbf. (N)	2618 (11646)
ZZ	Bucket roll-back force at ground level	lbf. (N)	2146 (9545)
a	Length	in. (mm)	19.7 in. (500 mm)
Raising time (rated flow)		sec.	2.8 seconds
Lowering time (rated flow)		sec.	2.0 seconds
Bucket dumping time (rated flow)		sec.	1.8 seconds
Bucket roll-back time (rated flow)		sec.	2.1 seconds



LOADER SPECIFICATIONS		
MODEL	LA525	
Matching Tractor	L3301/L3901	
A Maximum lift height (to bucket pivot pin)	in. (mm)	94.3 (2394)
B Maximum lift height under level bucket	in. (mm)	87.6 (2224)
C Clearance with bucket dumped	in. (mm)	76.2 (1936)
D Reach at maximum lift height (dumping reach)	in. (mm)	25.4 (645)
E Maximum dump angle	deg.	40 °
F Reach with bucket on ground	in. (mm)	63.7 (1618)
G Bucket roll-back angle	deg.	31 °
H Digging depth	in. (mm)	6.9 (176)
I Overall height in carry position	in. (mm)	51.3 (1302)
U Lift capacity (bucket pivot pin, maximum height)	lbs. (kg)	1131 (513)
V Lift capacity (500 mm forward, maximum height)	lbs. (kg)	855 (388)
W Lift capacity (bucket pivot pin, 1500 mm (59 in.) height)	lbs. (kg)	1490 (676)
X Lift capacity (1500 mm (59 in.) height)	lbs. (kg)	1182 (536)
Y Breakout force (bucket pivot pin)	lbf. (N)	2462 (10951)
Z Breakout force (500 mm forward)	lbf. (N)	1874 (8335)
VV Bucket roll-back force at maximum height	lbf. (N)	2177 (9685)
XX Bucket roll-back force at 1500 mm	lbf. (N)	2697 (11998)
ZZ Bucket roll-back force at ground level	lbf. (N)	2215 (9855)
a Length	in. (mm)	19.7 in. (500 mm)
Raising time (rated flow)	sec.	3.5
Lowering time (rated flow)	sec.	2.3
Bucket dumping time (rated flow)	sec.	1.7
Bucket roll-back time (rated flow)	sec.	2.2



LOADER SPECIFICATIONS			
MODEL	LA765		
Matching Tractor	L4701		
A	Maximum lift height (to bucket pivot pin)	in. (mm)	105.2 (2673)
B	Maximum lift height under level bucket	in. (mm)	95.7 (2431)
C	Clearance with bucket dumped	in. (mm)	81.2 (2063)
D	Reach at maximum lift height (dumping reach)	in. (mm)	21.1 (537)
E	Maximum dump angle	deg.	41°
F	Reach with bucket on ground	in. (mm)	70.2 (1783)
G	Bucket roll-back angle	deg.	27°
H	Digging depth	in. (mm)	6.1 (156)
I	Overall height in carry position	in. (mm)	54.6 (1387)
U	Lift capacity (bucket pivot pin, maximum height)	lbs. (kg)	1684 (764)
V	Lift capacity (500 mm forward, maximum height)	lbs. (kg)	1263 (573)
W	Lift capacity (bucket pivot pin, 1500 mm (59 in.) height)	lbs. (kg)	2154 (977)
X	Lift capacity (1500 mm (59 in.) height)	lbs. (kg)	1726 (783)
Y	Breakout force (bucket pivot pin)	lbf. (N)	3153 (14023)
Z	Breakout force (500 mm forward)	lbf. (N)	2443 (10865)
VV	Bucket roll-back force at maximum height	lbf. (N)	2869 (12763)
XX	Bucket roll-back force at 1500 mm	lbf. (N)	3673 (16429)
ZZ	Bucket roll-back force at ground level	lbf. (N)	3000 (13345)
a	Length	in. (mm)	19.7 in. (500 mm)
Raising time (rated flow)		sec.	4.0
Lowering time (rated flow)		sec.	2.5
Bucket dumping time (rated flow)		sec.	1.6
Bucket roll-back time (rated flow)		sec.	2.5







## Legal Disclaimer

To the best of Kubota's knowledge, all information included in this presentation is either owned by Kubota or falls under the fair use or public domain guidelines of copyright law in the United States. Kubota strives for accuracy but cannot be held responsible for any errors in information featured in this presentation. Kubota notes that specifications and technical information is subject to change without notice and Kubota does not represent or warrant that the information in this presentation is completely accurate or current; however, Kubota used reasonable efforts to include accurate and up to date information in this presentation. Kubota disclaims all representations and warranties, whether express or implied, including, but not limited to, warranties of merchantability and fitness for a particular purpose. Kubota shall not be liable for any damages, whether compensatory, direct, indirect, incidental, special, or consequential, arising out of or in connection with the use of this presentation, or the information therein. If and to the extent any state does not permit the exclusion or limitation of liability for consequential or incidental damages, Kubota's liability, in such state, shall be limited to the fullest extent permitted by law.

The collection, arrangement and assembly of content in this presentation are the exclusive property of Kubota and are likewise protected by copyright and other intellectual property laws. Kubota asserts a claim of copyright for our compilations of presentation slides, their unique scope and style, our domains, our site design, HTML, database design, look and feel, and back-end code. Upon viewing any page under this presentation, you consent to this disclaimer. Copying, distributing, re-creating or any other unauthorized use of the content of this presentation without the express written consent of Kubota is strictly prohibited.